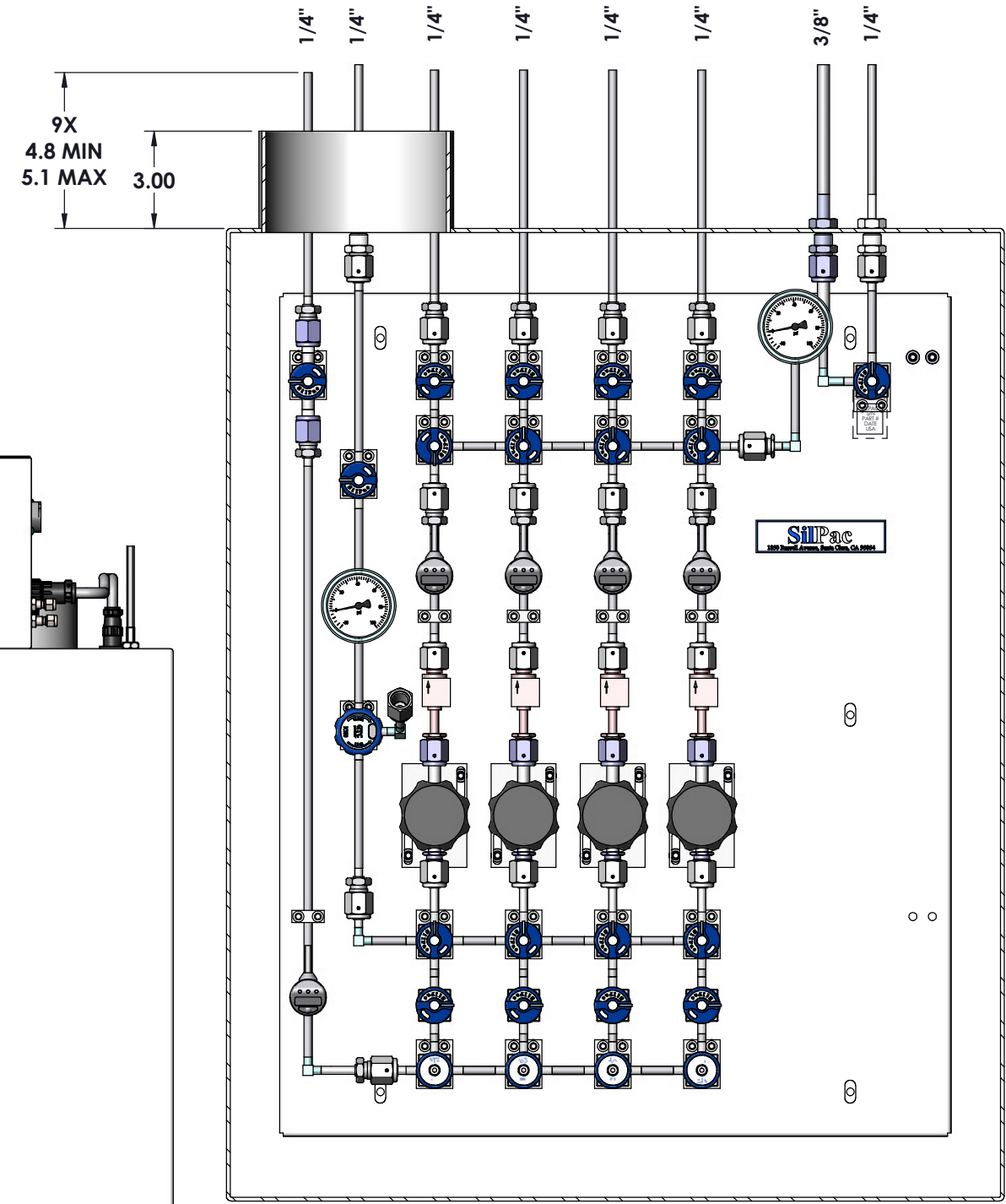
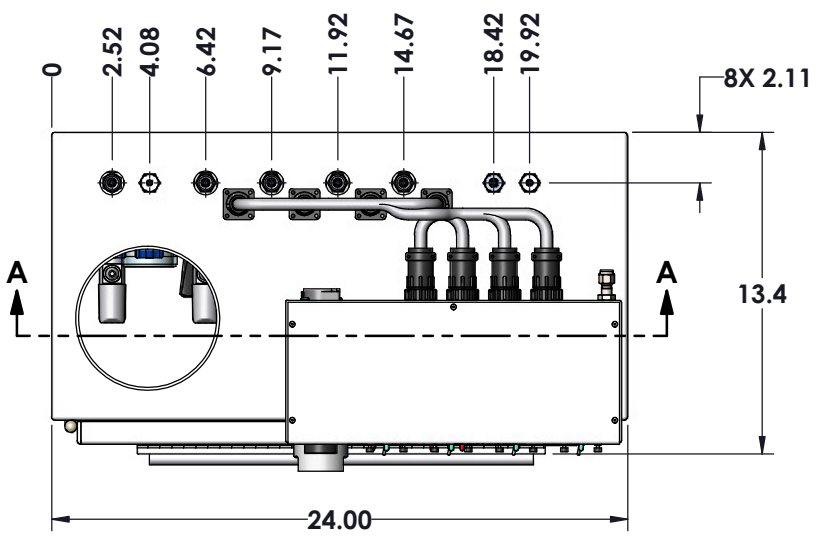
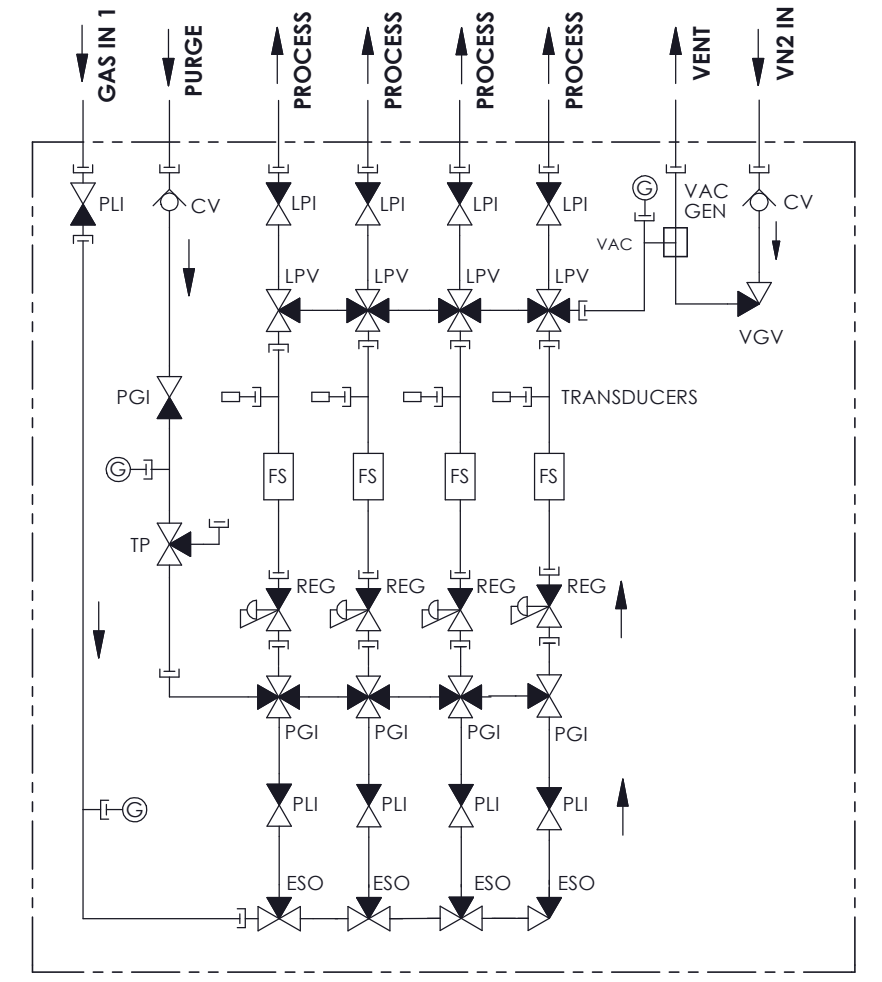


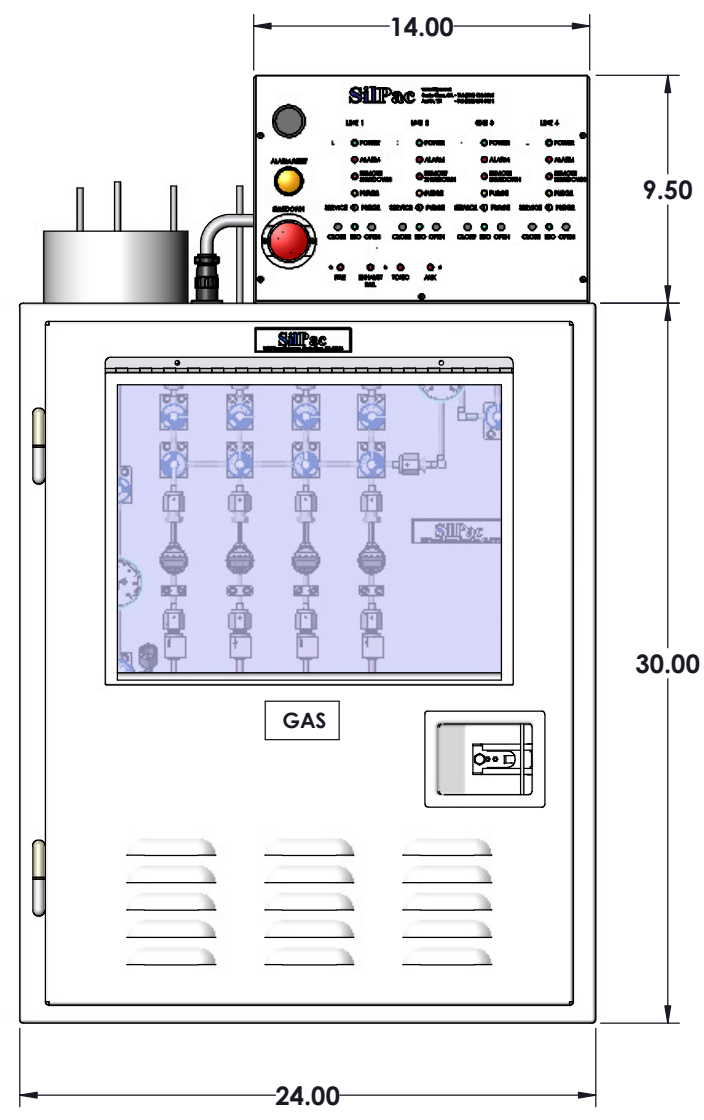
REVISION					
REV	DESCRIPTION	ER	DRAWN	APPROVED	DATE
A	INITIAL RELEASE.	ER-1287	CHI	EJD	02/27/15



CONTROLLER NOT SHOWN FOR CLARITY
SECTION A-A
SCALE 4 : 10



SCHEMATIC



NEXT ASSY	APPROVALS	DATE
	DRAWN CHI CHU	02-27-15
	CHECKED EJD	02-27-15
	ENGINEER ---	---
	APPROVED	

INTERPRET DIMENSIONS AND TOLERANCES PER ASME Y14.5M 1994 STANDARDS.
UNLESS OTHERWISE SPECIFIED ALL DIMENSIONS ARE IN INCHES.
TOLERANCES SURFACES
.XX ±.03 63
.XXX ±.010
ANGLES ±.5°
THIRD ANGLE PROJECTION

THIS DOCUMENT CONTAINS CONFIDENTIAL INFORMATION OF SilPac. THIS DOCUMENT AND THE INFORMATION CONTAINED IN IT CANNOT BE COPIED OR DISCLOSED IN WHOLE OR IN PART WITHOUT THE EXPRESS WRITTEN CONSENT OF SilPac, AND MUST BE RETURNED TO SilPac UPON REQUEST.

MATERIAL SEE PARTS LIST
FINISH SEE NOTES

SilPac
SANTA CLARA, CALIFORNIA

**VMB, 4-STICK MANUAL/ESO,
1 PROC IN, FS/XDCR**

SIZE **D** DWG NO. **SP-VMBM4ESO-01B-MKT** REV **B**
SCALE **1:4** DO NOT SCALE DRAWING Sheet 1 of 1